

DS-2CE57U0T-VPITF 5 MP Ultra Low Light Vandal Fixed Dome Camera



- 8 MP dome camera
- EXIR 2.0: advanced infrared technology with 30 m IR distance
- Water and dust resistant (IP67) and vandal proof (IK10)
- 4 in 1 (4 signals switchable TVI/AHD/CVI/CVBS).

▪ Specification

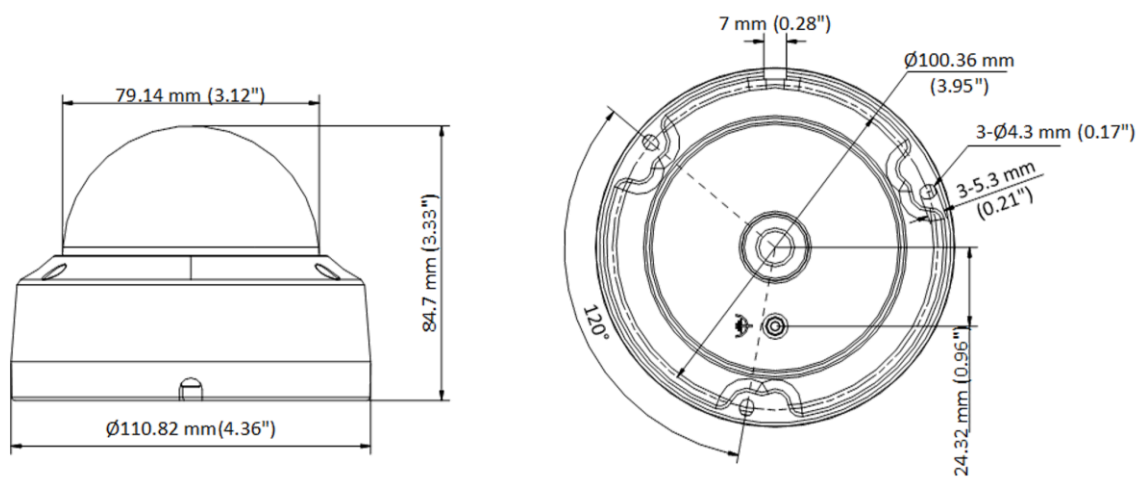
Camera	
Image Sensor	8.29 MP CMOS
Max. Resolution	3840 (H) × 2160 (V)
Min. Illumination	0.01 Lux@(F1.6, AGC ON), 0 Lux with IR
Shutter Time	PAL: 1/12.5 s to 1/50, 000 s NTSC: 1/15 s to 1/50, 000 s
Day & Night	ICR
Angle Adjustment	Pan: 0 to 355°, Tilt: 0 to 75°, Rotation: 0 to 355°
Signal System	PAL/NTSC
Lens	
Lens Type	2.8 mm, 3.6 mm, 6 mm fixed lens
Focal Length & FOV	102.9° (2.8 mm), 79° (3.6 mm), 44.7° (6 mm)
Lens Mount	M12
Image	
Image Parameters Switch	STD/HIGH-SAT
Image Settings	Brightness, Sharpness, Smart IR
Frame Rate	TVI: 8MP@12.5fps, 8MP@15fps, 4MP@25fps, 4MP@30fps, 2MP@25fps, 2MP@30fps AHD: 8MP@15fps CVI: 8MP@12.5fps, 8MP@15fps CVBS: PAL/NTSC
Day/Night Mode	Auto/Color/BW (Black and White)
Wide Dynamic Range (WDR)	Digital WDR
Image Enhancement	Yes
Image Enhancement	Yes
White Balance	Auto/Manual
AGC	Yes
Interface	
Video Output	Switchable TVI/AHD/CVI/CVBS
General	
Material	Metal
Dimension	Φ 110.8 mm × 84.7 mm (Φ 4.4" × 3.3")
Weight	Approx. 365 g (0.80 lb.)
Operating Condition	-40 °C to 60 °C (-40 °F to 140 °F), humidity: 90% or less (non-condensation)
Communication	HIKVISION-C
Language	English
Power Supply	12 VDC ± 25% *You are recommended to use one power adapter to supply the power for one camera.
Consumption	Max. 2.2 W
IR Range	Up to 30 m
Approval	
Protection	IP67, IK10

▪ Available Model

DS-2CE57U0T-VPITF(2.8mm)

DS-2CE57U0T-VPITF(3.6mm)

DS-2CE57U0T-VPITF(6mm)

▪ Dimension

Headquarters

No.555 Qianmo Road, Binjiang District,
Hangzhou 310051, China
T +86-571-8807-5998
www.hikvision.com



Follow us on social media to get the latest product and solution information.

